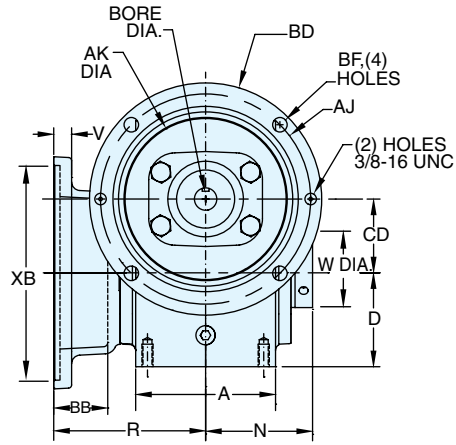
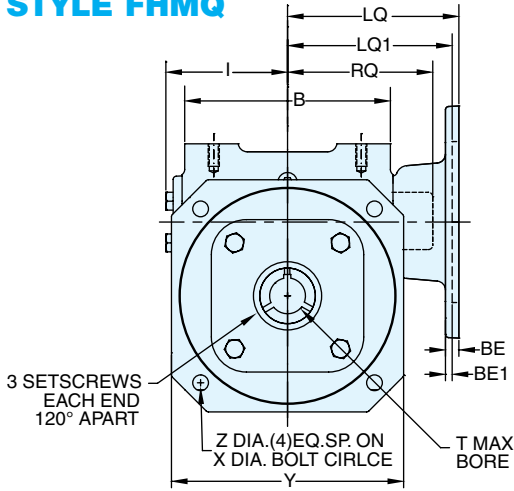


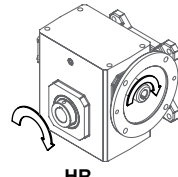
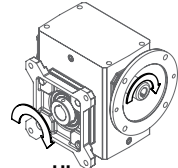
ELECTRA-GEAR EL SERIES DIMENSIONS

STYLES: FHM, FHM, FH

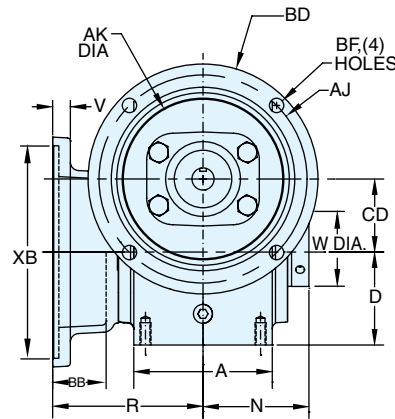
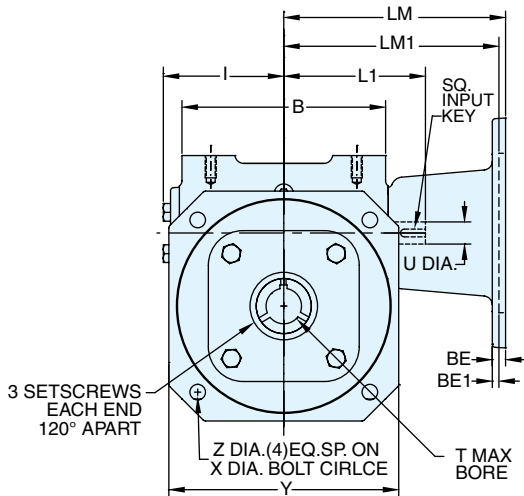
STYLE FHM



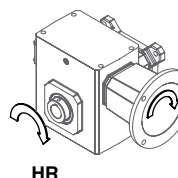
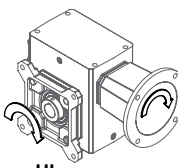
ASSEMBLIES



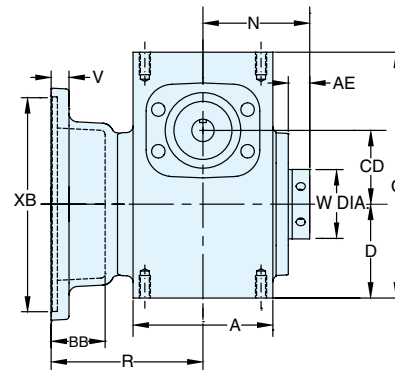
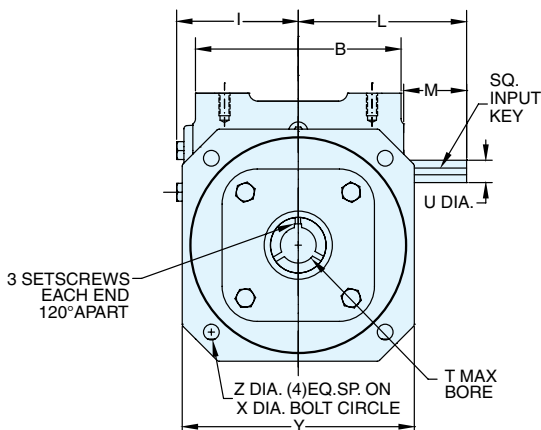
STYLE FHM



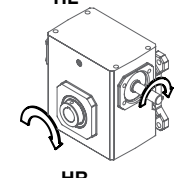
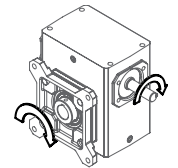
ASSEMBLIES



STYLE FH



ASSEMBLIES



REVERSE ALL ARROWS FOR OPPOSITE INPUT SHAFT ROTATION. CONTACT FACTORY FOR OTHER MOUNTINGS OR ASSEMBLY POSITIONS.

STYLE FHM, FHM, FH DIMENSIONS (Inches)

Size	A	AE	B	BB	C	CD	D	I	L	M	N	R	V	X	XB	Y	Z	T MAX* +0.000 -0.0025	U +0.000 -0.0015	Input Key (Style FH only)*	Input Key (Style FHM only)*	Output Key
EL818	3.50	0.49	4.83	1.27	5.86	1.75	2.31	3.03	4.35	1.78	2.75	3.53	0.38	3.13	-	4.00	0.34	1.000	0.625	3/16 x 1.38	3/16 x .500	1/4 x 3.00
EL821	3.91	0.60	5.75	1.51	6.88	2.06	2.63	3.40	4.71	1.76	2.99	4.25	0.50	6.88	6.00	6.49	0.44	1.500*	0.625	3/16 X 1.38	3/16 x .500	3/8 x 3.00
EL824	4.06	1.05	5.86	1.35	6.94	2.38	2.50	3.61	5.51	2.45	3.51	4.15	0.63	7.38	6.50	6.99	0.50	1.500*	0.750	3/16 X 1.63	3/16 x .500	3/8 x 3.00
EL826	4.84	0.60	7.17	1.35	8.00	2.63	3.25	4.17	6.07	2.45	3.19	4.56	0.63	7.38	6.50	6.99	0.50	1.500*	0.750	3/16 x 1.63	3/16 x .500	3/8 x 3.00
EL830	5.25	0.60	8.11	2.36	8.94	3.00	3.50	4.81	6.56	2.31	3.75	5.75	0.81	9.125-9.500	8.25	8.74	0.56	2.188	0.875	3/16 x 1.63	3/16 x .500	1/2 x 3.00
EL832	5.25	0.60	8.11	2.54	10.50	3.25	4.00	5.00	6.75	2.31	3.75	5.94	0.81	10.75	9.75	8.74	0.56	2.188	0.875	3/16 x 1.63	3/16 x .500	1/2 x 3.00
EL842	6.13	0.63	9.63	2.06	11.69	4.25	4.50	6.15	8.72	3.47	4.25	6.06	0.75	10.75	10.25	11.00	0.69	2.188	1.250	1/4 x 2.50	1/4 x 2.50	1/2 x 3.00
EL852	7.19	0.97	11.50	1.18	12.25	5.25	4.25	7.55	10.03	3.38	5.25	5.75	0.69	12.75	11.50	14.24	0.81	3.438	1.250	1/4 X 3.00	1/4 x 3.00	7/8 x 4.00
EL860	7.00	0.81	13.50	0.25	14.25	6.00	5.00	7.88	10.99	3.00	5.19	7.25	1.00	15.25	13.00	17.00	0.81	3.438	1.500	3/8 x 3.00	3/8 x 2.75	7/8 x 4.00

MOTOR MOUNTING DIMENSIONS

NEMA DIMENSIONS (Inches)

Size	LM 56C/140TC	LM1 180TC / 210TC	L1 56C/140TC 180TC / 210TC	LQ 56C/140TC	LQ1 180TC / 210TC	RQ 56C/140TC 180TC / 210TC
EL818	5.89	--	3.64	--	4.42	--
EL821	6.26	--	4.00	--	4.79	--
EL824	6.48	7.30	4.29	4.29	4.77	4.09
EL826	7.04	7.86	4.88	4.88	5.33	4.82
EL830	7.67	8.31	5.38	5.38	5.97	5.32
EL832	7.86	8.50	5.56	5.56	6.16	5.51
EL842	11.25	12.53	9.57	9.57	6.45	6.04
EL852	12.65	13.93	10.88	10.88	7.85	7.35
EL860	--	11.94	10.99	10.99	--	--

NEMA DIMENSIONS (Inches)

Frame	AJ	AK	BD	BE	BE1	Bore Dia.	Keyway	BF
56C	5.88	4.50	6.50	0.38	N/A	.625	3/16 X 3/32	0.41
140TC	5.88	4.50	6.50	0.38	N/A	.875	3/16 X 3/32	0.41
180TC	7.25	8.50	9.00	N/A	0.50	1.125	1/4 X 1/8	0.53
210TC	7.25	8.50	9.00	N/A	0.50	1.375	5/16 X 5/32	0.53

- Max bore dimensions shown. For additional bores available, refer to page 128.
- ◆ Keyway width by depth
- * Solid input shaft and C-faced coupling input reducers have different input shaft length and key.



For safety, purchaser or user should provide protective guards over shaft extensions and any couplings, sheaves and belts, sprockets and chains, etc., mounted thereon.

INTEGRAL GEARMOTOR INPUTS AVAILABLE

— Contact Factory for price and availability.

EL SERIES MOUNTING DIMENSIONS

— EL Series mounting dimensions are the same as the original ELECTRA-GEAR product with an option to match the industry standard dimensions of GR Series.
— See page 52 for GR Series dimensions.

ELECTRA-GEAR INTERCHANGE GUIDE

Original Style	New Style
RHSC	FHM
RHC	FHM
RH	FH
RH + "KV" Kit	FH + "KV" Kit

Convert Style FH to motorized coupling input using kits shown on page 290.

All dimensions shown are for reference only. Contact Factory for certified dimensions.